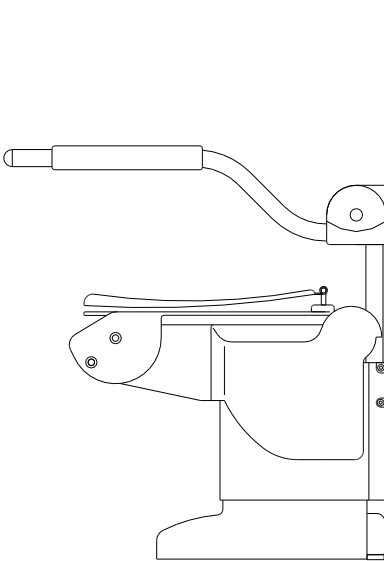


# Aerolet<sup>®</sup>

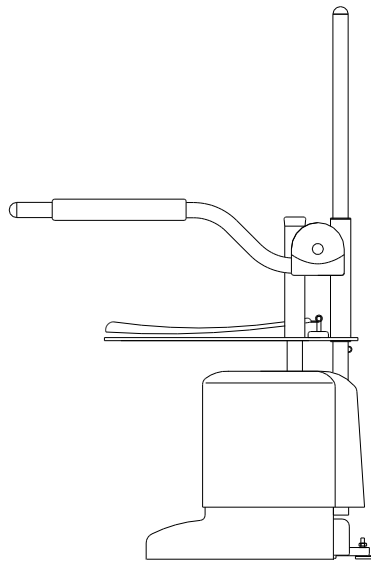
# Toilet lift

The ergonomic toilet-aid

## Manual and Installation



TILTING



VERTICAL

<sup>®</sup>  
**Aerolet** made by Economic Holland b.v

## Important device description

- This product has been tested according to and found compliant with the standard EN60601-1-2:2015:
  - Immunity test levels as defined for home healthcare environment
  - Emission test limits as defined for group 1, Class B
- Based on the test results it can be concluded that the foreseeable electromagnetic disturbances will not result in an unacceptable risk/danger to the end user.
- Warning interference other communication equipment:



### WARNING

- Portable RF communications equipment (including peripherals such as antenna cables and external antennas) should be used no closer than 30 cm (12 inches) to any part of the Aerolet, including cables specified by the manufacturer. Otherwise, degradation of the performance of this equipment could result.

## Declaration by the manufacturer

This declaration has been made by the manufacturer, that the Aerolet toilet lift complies with the new requirements of the Regulation (EU) 2017/745 of 5 April 2017 on medical devices ('MDR'). The content of the Aerolet's Technical File was used for the assessment.

The toilet lift is primarily classified as a medical device within the meaning of the MDR.

**Justification:** the Aerolet is a device or appliance produced by the Economic Holland B.V. and intended for use by disabled persons with limited muscle strength for the prevention, treatment or alleviation of (the loss of) muscle strength. Pursuant to Article 51 of the MDR, the devices are classified into risk classes I, IIa, IIb and III, taking into account the purpose intended by the manufacturer and the inherent risks. The classification is carried out in accordance with Annex VIII of the MDR.

**Justification:** according to Annex VIII, Chapter III, sub 4.1 (Rule 1) the Aerolet is covered by Class I of the MDR.

Registered in Eudamed databank under **Basic UDI-DI no. 87193276956AEROLET19585M.**

# Table of contents

Important device description.....	2
Table of Contents.....	3
Data and specifications of your own Aerolet.....	4
Preface.....	5
Important information.....	6
Explanation symbols.....	7
Cleaning & maintenance of the Aerolet.....	8
Guarantee and repair.....	9
Basic-Structure of the Aerolet.....	10
The Aerolet wire diagram.....	11
Formation of an Aerolet.....	13
Operation instructions.....	15
Removal and installation of the covers.....	17
Repair the Aerolet for a “height” toilet.....	19
Installing the Aerolet on a toilet bowl.....	21
Installing the Aerolet in combination with a Bidet system.....	23
Installing the Aerolet on a Geberit Bidet WC 7000 system.....	25
Installing the Aerolet on a AquaClean8000 <i>plus</i> system.....	27
Setting the rise of the Aerolet.....	29
Examples of height adjustments.....	31
Setting the Aerolet arm supports.....	33
Troubleshooting.....	35
Installing the Vertical Aerolet on a toilet bowl.....	37
Caution.....	38
Resetting the vertical / Tilting toilet lift.....	39
Data of the manufacturer.....	40

## Data of your own toilet lift:



type model
year-modification no.-product no.
date of production
indication max. load

## Specifications

Model	Seat frame	Weight lift	Measurement	Maximum Load
			L x B x H in cm	
ST	Standaard	33 KG	68 x 73 x 99	150 Kg
BA	Bariatric	39 KG	68 x 73 x 99	<b>250 Kg</b>
CL-ST	Closomat	34 KG	68 x 73 x 99	150 Kg
GE-8000	Geberit	35 KG	68 x 73 x 99	150 Kg
GE-ME	Geberit	34 KG	68 x 73 x 99	150 Kg
SM	Small	32 KG	68 x 67 x 99	150 Kg
VE-ST	Standaard	36 KG	71 x 69 x 107	150 Kg
VE-CL	Closomat	37 KG	71 x 69 x 107	150 Kg
VE-GE8000	Geberit	37 KG	71 x 69 x 107	150 Kg
VE-GE-ME	Geberit	37 KG	71 x 69 x 107	150 Kg
VE-SM	Small	35 KG	71 x 63 x 107	150 Kg

### Ambient environmental conditions:

- operating temperature +5°C and +40°C
- storage temperature +5°C and +40°C
- relative humidity between 20%RH and 60%RH (non condensing)
- operation altitude up to 2.000m

## Preface

Dear user,

Congratulation on your purchase of the *Aerolet*<sup>®</sup> toiletlift.

This state of the art assistive device has been delivered to you with great pride in its design and quality materials.

The revolutionary design concept of the *Aerolet*<sup>®</sup> has evolved from years of research and development.

We are confident that you, the user, will find your *Aerolet*<sup>®</sup> is easily maintained, attractive and ergonomically correct. The multiple adaptations and adjustments of the *Aerolet*<sup>®</sup> can be custom fitted for a specific person or adjusted to accommodate multiple users.

The ideal support of the *Aerolet*<sup>®</sup> moves the trunk forward as the users center of gravity is brought above the feet while the knee and hipjoints simultaneously straighten to a normal, natural standing position.

Your toilet can always be used with the toilet lift in its down position by those that do not require the *Aerolets*<sup>®</sup> assistance to stand. After accurate installation of your toilet lift by your dealer and his qualified engineer the *Aerolet*<sup>®</sup> is ready for use.




A component list with option parts for the *Aerolet* toilet lift is available on request.

The maximum service life is based on 10 years with daily use.

**!** This Manual contains important information for installation, use and maintenance of the *Aerolet*<sup>®</sup>.

The installer and user should read this manual carefully before installing or using this product. Should you have any questions regarding the *Aerolet*<sup>®</sup> after its installation, please contact your dealer or installation company.

## Important information

Symbol	Reference	Title
	ISO 7000-1641	Operation instructions
	IEC 60417-5172	Class II equipment
	IEC 60417-50032	Alternating current
<b>IPX4</b>	IEC 60529	IP Protection
	ISO 7010-0434A	General warning sign
	ISO 7010	Trapping hazard
	ISO 7010-0434A	General caution sign
	ISO 7010	Keep out of reach of children

## Explanation Symbols

**Pay special attention to warning and caution symbols used in this manual.**

- improper use may cause injury to the user
- improper use may cause damage to the Aerolet® !



**Warning !**

**Never change lift settings yourself, but leave this to an authorized person.**



**Caution !**

**Lift repairs may only be done when power is off !**



**Your Aerolet® toilet lift is absolutely no toy !**



**Danger of hand-jam.**



**Warning ! **NOTE - HOT PLUGGING !!****

***Removing or adding any OPENBUS cables are not allowed when the toilet lift is powered by mains supply! If needed anyway follow the below procedure:***

- 1. Remove mains and wait 5 sec.***
- 2. Mount or dismount the required cables***

***If this procedure is NOT followed it may result in damaged OPENBUS driver circuit.***

***The risk of a damaged circuit increases if the accessory has a high start current (in rush current).***

## Cleaning & maintenance of Aerolet

- The Aerolet is designed for easy cleaning.



### Warning !

- **Unplug the Aerolet from the socket outlet when cleaning the lift.**
- The Aerolet should be cleaned with each routine bathroom cleaning.
- Do not take off the plastic cover placed over the control button.
- **Do not use chlorine bleach and/or hydrochloric acid (scale solvents) based products to clean the lift.**



### Warning !

- The lift may **NEVER** pour over with water or be watered with high water-pressure.
- **Do not clean under the covers with liquids.**
- The covers can be cleaned with a moisture tissue on the outside.
- The Aerolet doesn't need periodical inspection and is maintenance free concerning mechanical parts.



### Caution !

- The Aerolet grant **only** "Pressalit" toilet seats as they are custom fit to the lift.
- When the seat is damaged, please contact your certified professional for assistance.
- When replacing the Aerolet' please subject the lift to inspection and testing by your certified professional dealer.
- When the toilet lift is taken out of operation, the mains voltage must be disconnected. Store the lift in a dry environment.



## Guarantee and Repair

Economic Holland B.V. guarantees the *Aerolet*<sup>®</sup> against material and manufacturing faults from 24 months from the purchase day.

The guarantee period starts from the delivery- or the installation day when placed by an authorized dealer.

During this guarantee period the authorized dealer will replace or repair at his own choice the faults.

The mains cord may only be replaced by an authorized service engineer.

### Exclusions

Your *Aerolet*<sup>®</sup> guarantee is not applicable on faults which will result in the following:

- wrong or inadequate maintenance by the user.
- unauthorized adjustments and/or adaptations or misuse.
- usage outside the environment-specifications wherefore the product is meant for.

### Repair

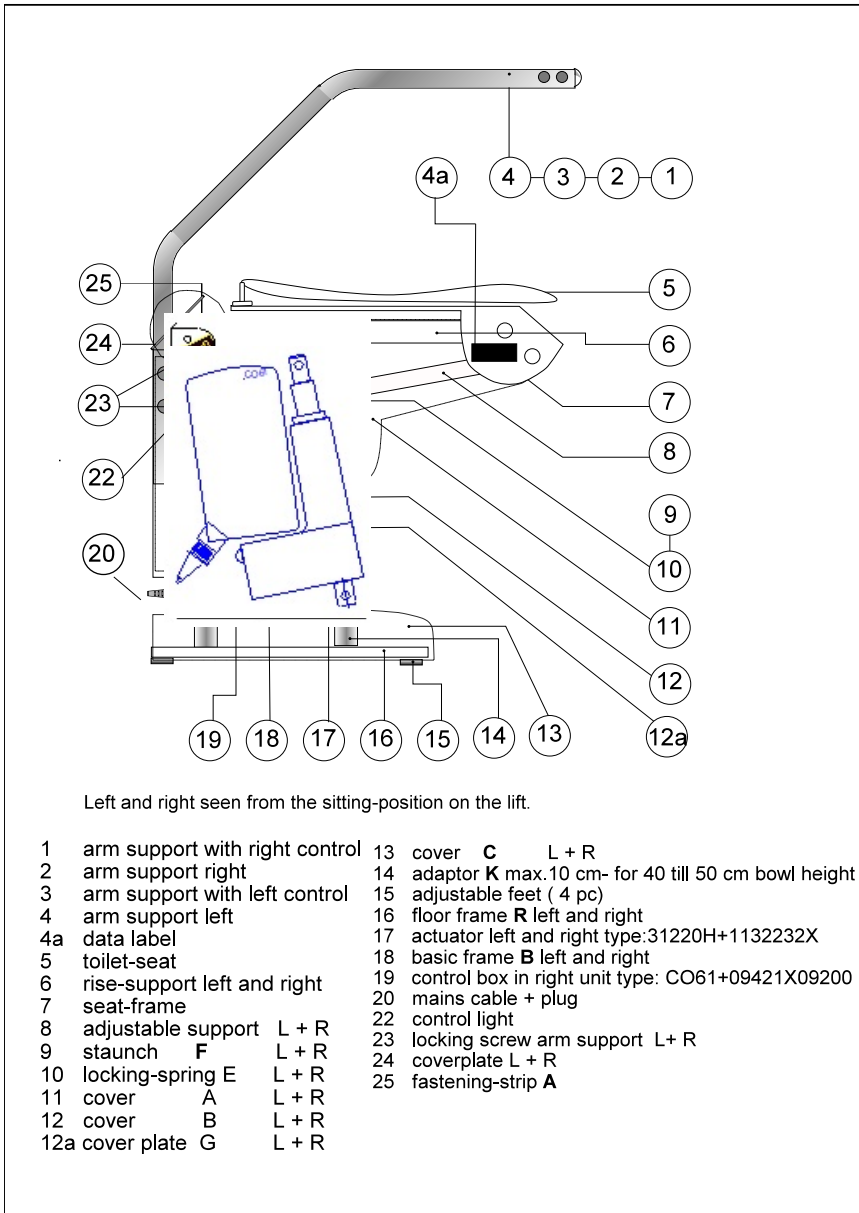
Repairs must only be carried out by an authorized person. Parts under guarantee must also be returned to Economic Holland.



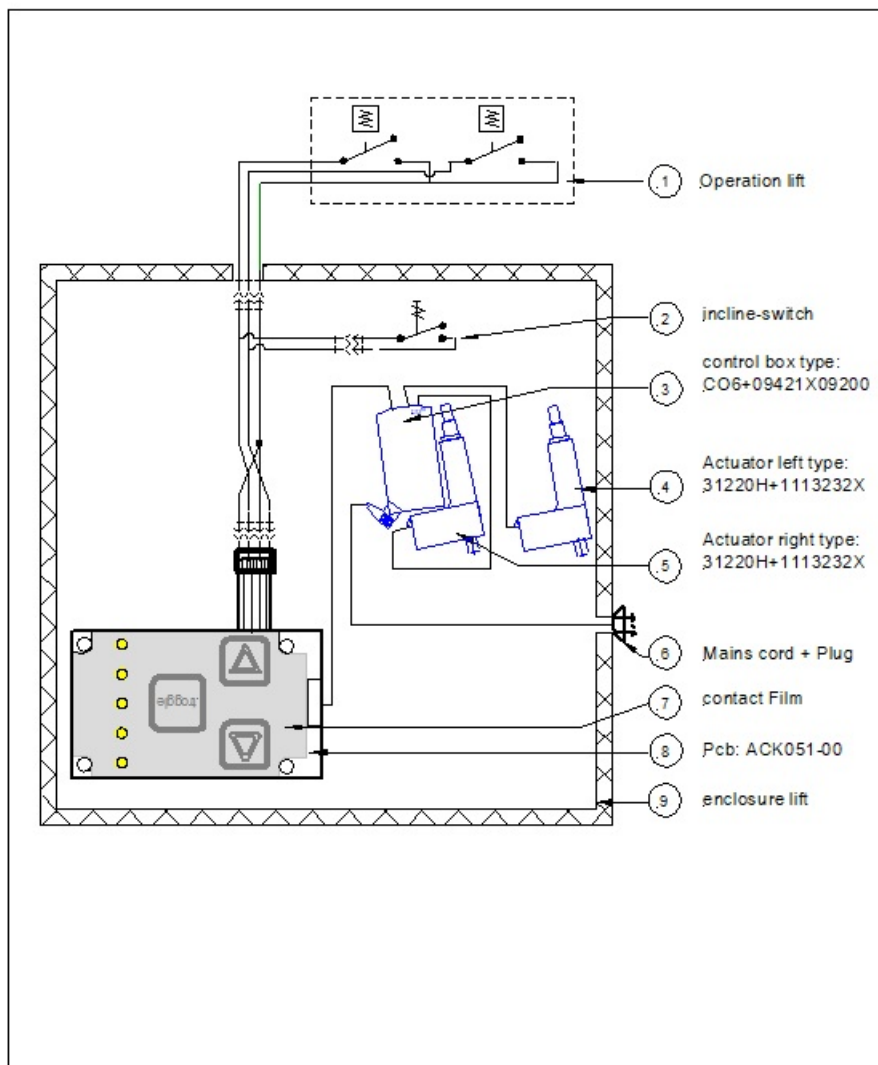
### Warning !

When the *Aerolet*<sup>®</sup> will be opened unauthorized, there is a risk of subsequent malfunction.

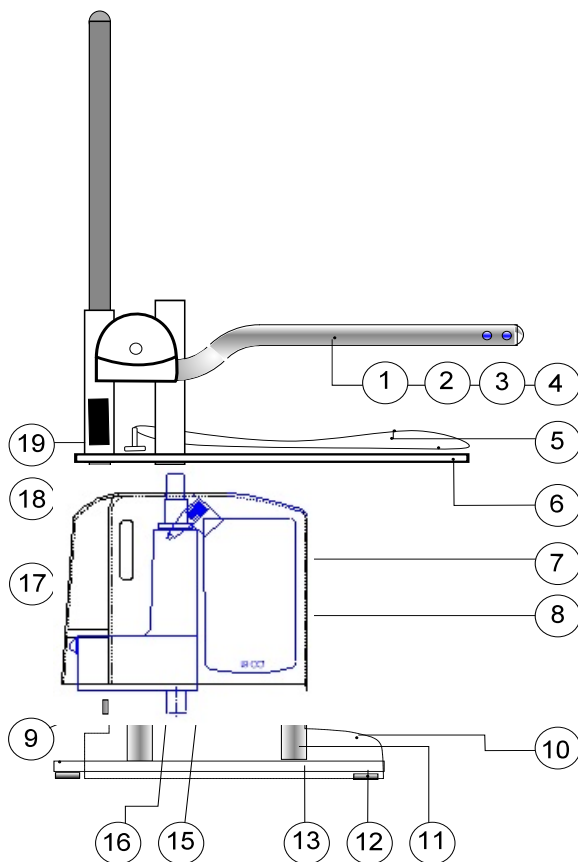
# Basic-structure of the Tilting Aerolet toilet lift



## The Aero let Tilting wire diagram

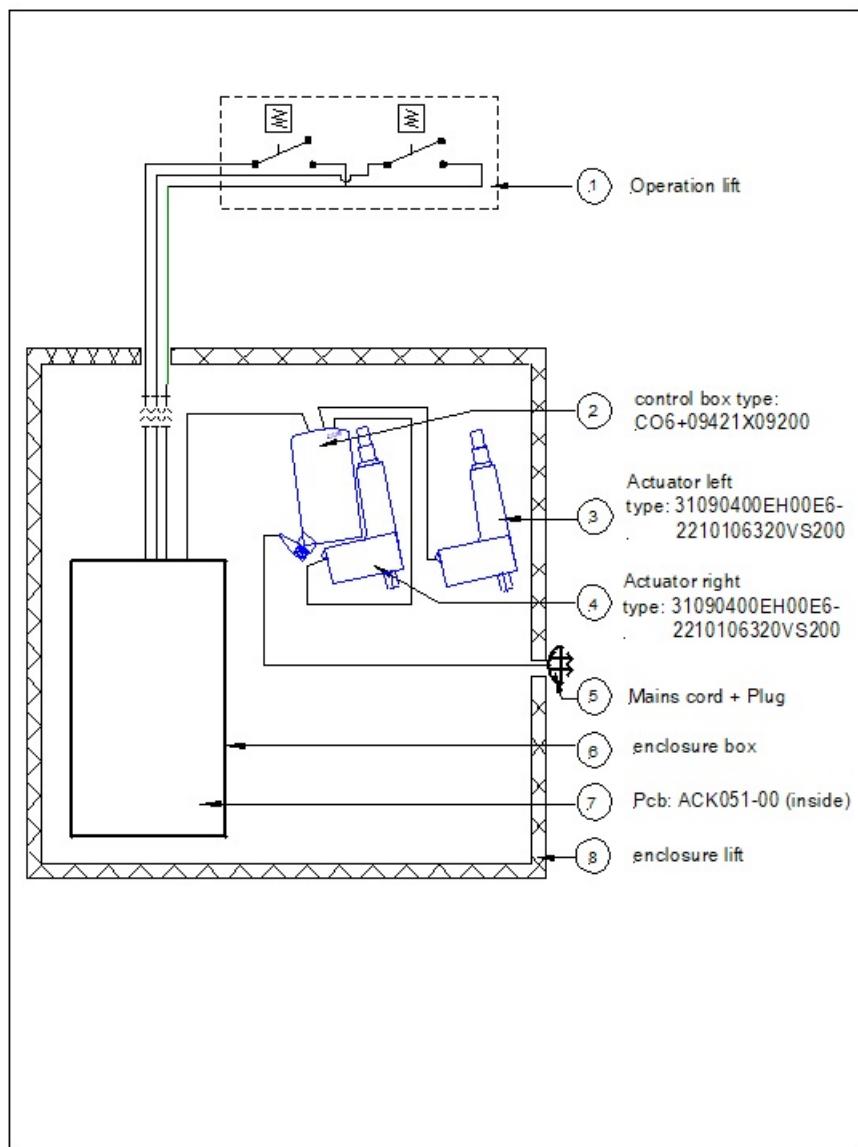


## Basic-structure of the Vertical Aerolet toilet lift

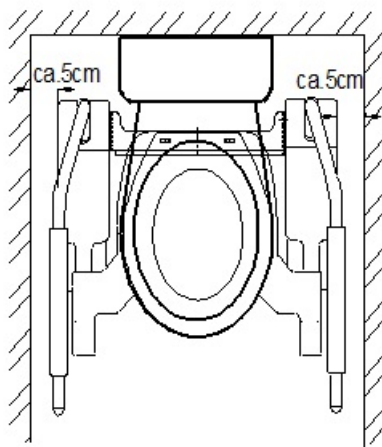


- |    |   |    |   |
|----|---|----|---|
| 1  | arm support with right control-foldaway | 11 | adaptor K max. 10 cm (for 40 till 50cm bowl height)         |
| 2  | arm support right-foldaway              | 12 | adjustable feet (4 pc)                                      |
| 3  | arm support with left control-foldaway  | 13 | foot frame (left and right)                                 |
| 4  | arm support left foldaway               | 15 | basic frame B (left and right)                              |
| 5  | toilet-seat                             | 16 | actuator left and right type: 3109400EH00E6-2210106320vs200 |
| 6  | seat-frame                              | 17 | locking screw arm support ( 2 pc)                           |
| 7  | top cover (left and right)              | 18 | guiding tube (left and right)                               |
| 8  | control box type: CO61+09421X09200      | 19 | data label  |
| 9  | mains cable + plug                      |    |   |
| 10 | foot cover (left and right)             |    |   |

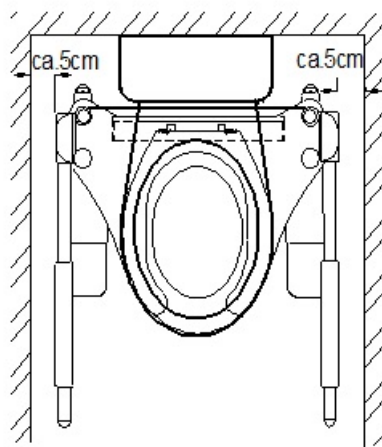
## The Aerolet Vertical wire diagram



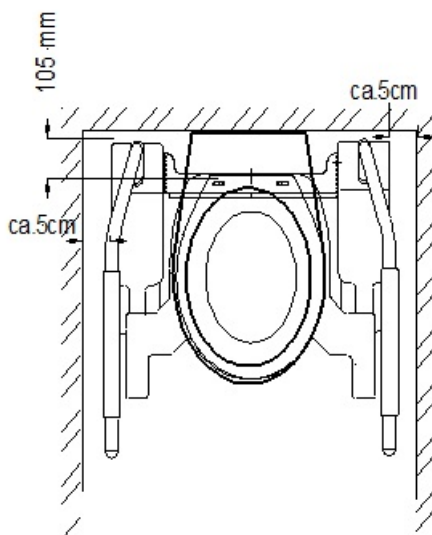
## VIEW FROM ABOVE OF SEVERAL FORMATIONS



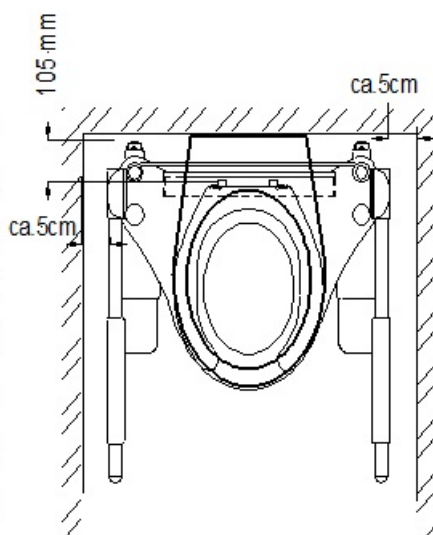
Cistern bowl with Tilting Aerolet



Cistern bowl with Vertical Aerolet



Wall bowl with Tilting Aerolet



Wall bowl with Vertical Aerolet

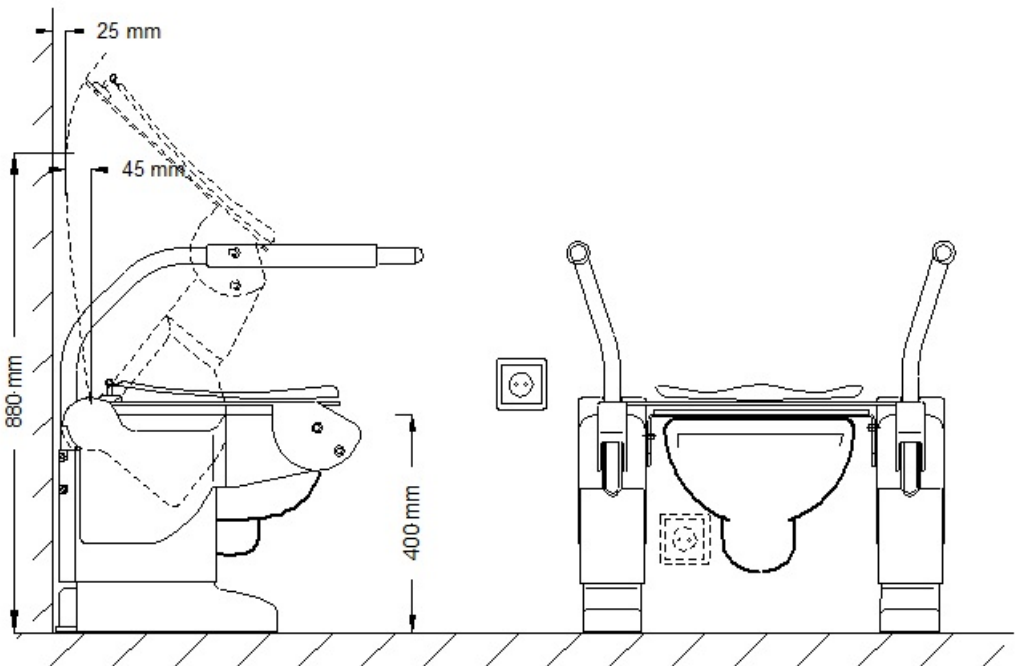
## Formation of an Aerolet toilet lift

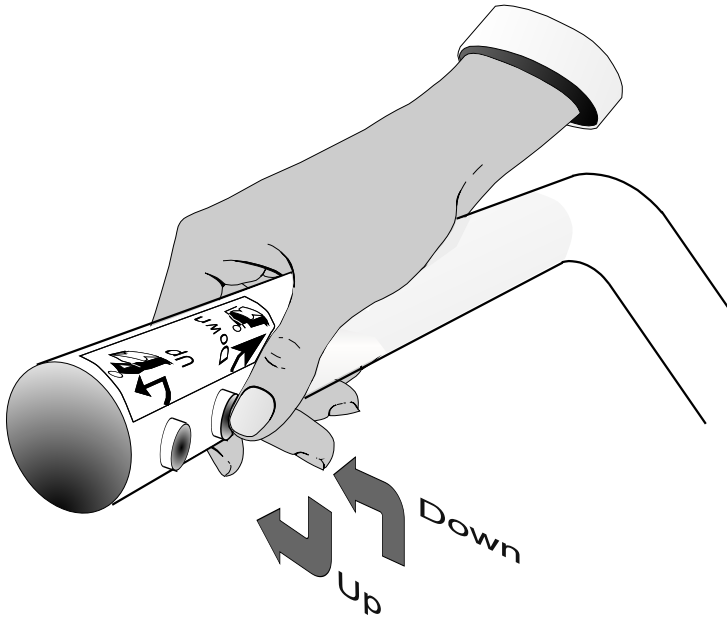
- For installing the strip of the lift a minimum of 105 mm is needed from the wall to the center mounting holes in the bowl (where the existing toilet seat was mounted)
- To each side of the Aerolet®, a 50 mm space is necessary to adjust the lift-rise settings.
- The diagram below gives an example of where the socket outlet can be installed.



### WARNING!

During the rise, the seat frame will move a maximum of 45 mm backwards leaving a free space of about 25 mm between the seat frame and the wall with a height of 880 mm.





**WARNING! Danger of hand-clench**

- **The users hands must always be on the arm supports or in the lap when the Aerolet® is in motion.**
- The lift stops automatically when loosen the control buttons.



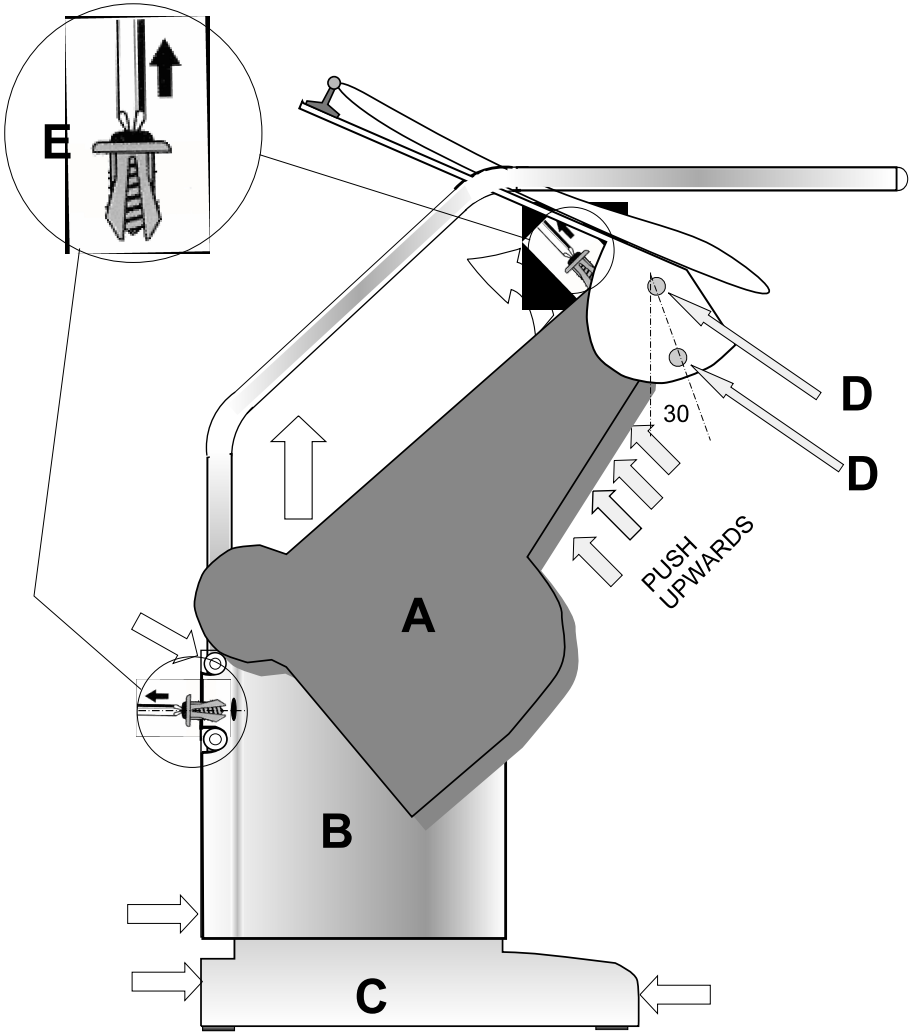
## Operation instructions

- The Aerolet® lift operates by two easy press button controls. These buttons are situated on the inner side on one of the arm supports.
- The FRONT BUTTON = UP  
(controls the upward movement of the lift)
- The REAR BUTTON = DOW  
(controls the downward movement of the lift)
- The Aerolet® stops automatically at the level, which set from the beginning.
- Changing the setting falls under the responsibility of the service engineer.
- The Aerolet® stops with the release of either buttons.
- No continued movement will occur once the lift reaches the preset stopping point. The Aerolet® toilet lifts' drive system will recalibrate itself each time it reaches its lowest point.
- When the Aerolet® is installed on a Geberit or Closomat (washing and drying) model, the washing and dryer system will operate when the Aerolet® reaches its lowest point.



### Caution !

**If both buttons will be pressed, the lift stops.  
Please release both buttons for using the lift again.**



## Removal and installation of the covers



### **WARNING!**

- The user may NEVER remove or install the covers of the lift.
- This should **only** be changed by a certified professional.

### **REMOVAL**

- All covers are fastened to the frame with Velcro<sup>®</sup>.
- For removal of the covers, the lift must be moved upwards so that the hinge points **D-D** make a 30 degree angle with the perpendicular sides of the lift.
- Remove the two rivets **E** out of the cover **A** and **B**.
- Remove cover **A** first, then **B** and **C**.

### **INSTALLATION**

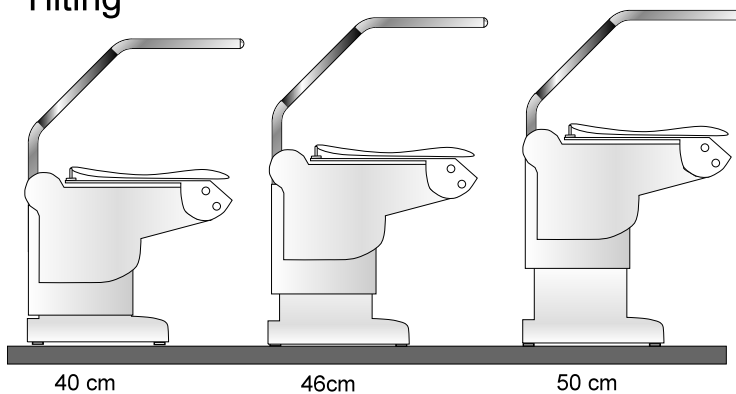
- Position the lift as described above for removal of covers.
- Install the cover **C** first, then **B** and **A**.
- The covers will overlap each other.



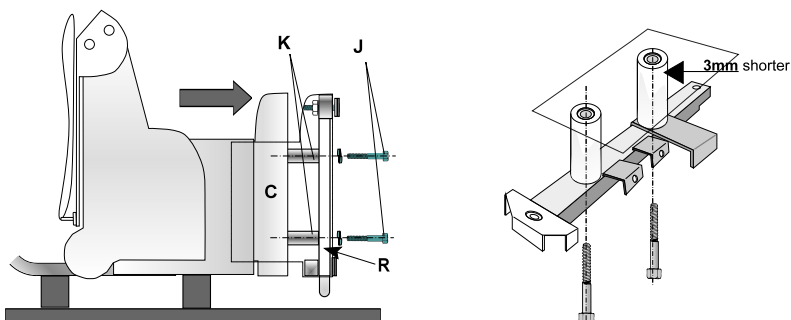
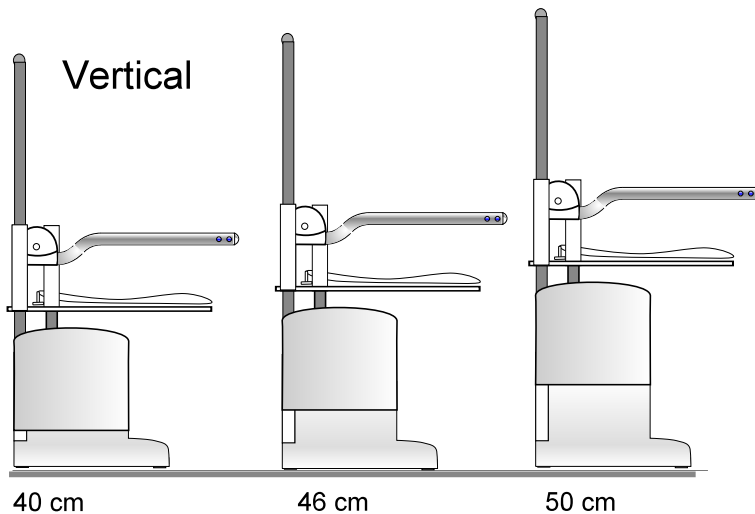
### **Warning !**

**Please be sure that the covers are placed on the outside of each other prior to operation of the lift. Damage can occur to the covers if improperly installed.**

# Tilting



# Vertical



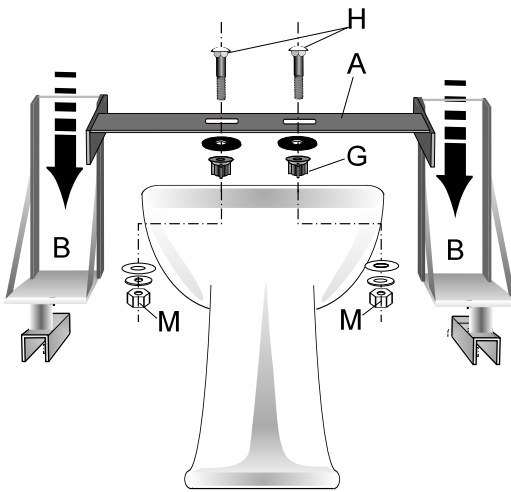
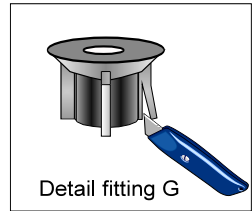
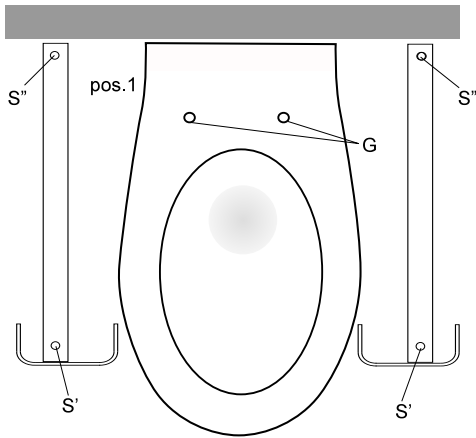
## Prepare the Aerolet for a 'height' toilet



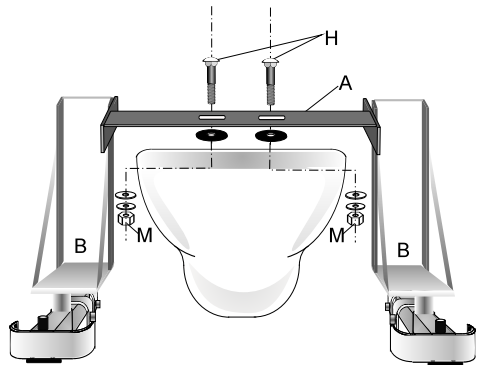
### Caution !

**The following points must only be carried out by an authorised installation person.**

- Before ordering and installing the Aerolet, the height of the toilet bowl should be measured according to the measurement form.
- The Aerolet can be adjusted for height toilet with installation of **K** adaptors.
- Carefully turn the lift backwards so that frame **R** is off the ground. Use for instance a few wooden blocks.
- Unscrew the four existing bolts **J**.
- Remove cover **C** off of the floor frame **A** by separating the Velcro®.
- Install the **K** adaptors between the floor frame and drive units and insert the four mounting bolts **J** into the adaptors (see detail page 18).
- Slide cover **C** over floor frame **R** and fasten the Velcro®.
- Turn the lift upright and install it over the toilet bowl following the installation procedure in this manual.



Floor-toilet



Wall-toilet

# Installing the Aerolet on a toilet bowl

( floor or wall model)



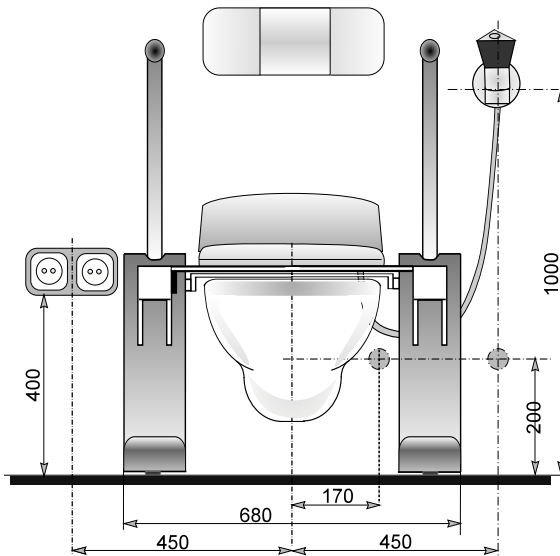
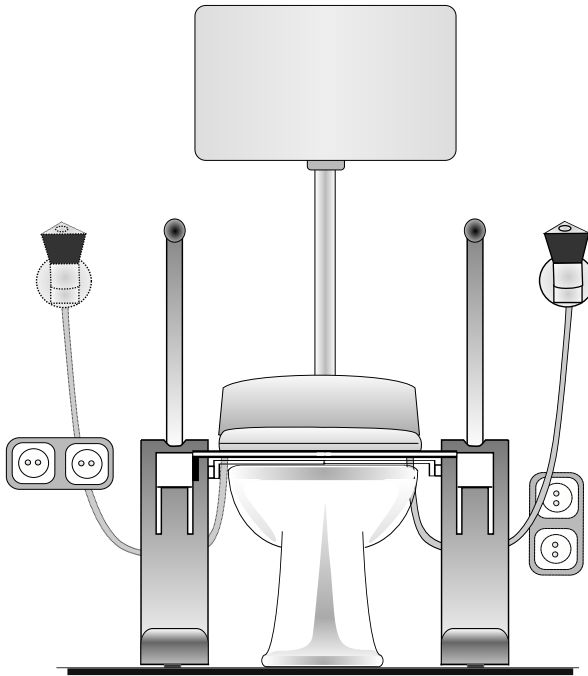
## Warning !

**The following points must only be carried out by an authorised installation person.**

- As the Aerolet® is installed to the toilet bowl, this bowl forms part of the system. **Be sure that the existing bowl is well fixed to the floor or wall.**
- Remove the existing toilet seat from the toilet.
- Remove the covers. (see page 16-17)
- Plug the Aerolet® into the socket outlet.
- Bring the lift approx. 15 cm upwards, so that strip **A** will be visible.
- Push fittings **G** into the mounting holes of the toilet bowl. If necessary, trim the fittings to fit the holes. (see detail **G**)
- Install the lift over the bowl so that the holes of strip **A** correspond with the toilet bowl holes.
- Insert the two mounting bolts **H** into the mounting strip and fasten them to the toilet bowl. If necessary, turn the adjusting screws **S** so that the strip **A** lies flat onto the bowl.
- Plug the Aerolet® into the socket outlet and see if the lift is operational.

**!** **Check** to see when turning all the screws **S**, a minimum of 25 mm. distance arises between the toilet bowl edge and the frame-seat. Turn bolts **K** and nuts **M** and **S** again. Install the covers.

- Adjust the feet under the lift in such a way, that the lift stands stable
- Adjust the arm supports. (see page 32-33)
- If necessary, adjust the seat rise with the toggle-switch. (see page 28-29)



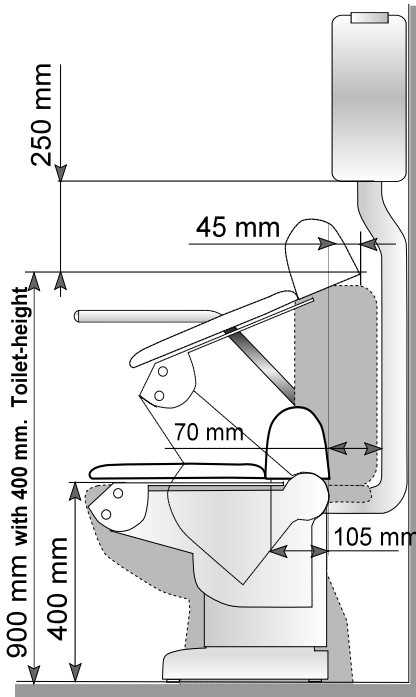


## Installing the Aerolet in combination with a shower WC (Bidet-sytem)

- The Aerolet® is delivered complete with a Bidet system.
- Both products have been adapted to compliment each other.
- The combination will fit both regular and elongated bowls.
- To install this combination, an extra socket outlet and a water supply is needed.
- Make sure that this combination needs more space (namely minimum  $105 + 70 = 175$  mm) from the bowl-seat holes to the cistern-pipe or wall, if there is no pipe.

**! This means, that this combination does not fit on:**

- toilet bowl with cistern combination.
- toilet bowl with low hanging cistern.
- toilet bowl positioned very close to the wall.



**The solution is hanging the cistern higher, and that there is a minimum space of 70 mm between the backside of the WC-VAmat and the cistern-pipe. (see also page 12-13)**

**For installation follow the instruction on page 20-21 (floor toilet) and (wall toilet).**

### **WARNING**

Do not plug the Bidet in to the socket outlet until the installation is completed and the water supply is hooked up and turned on.

(see manual Bidet)

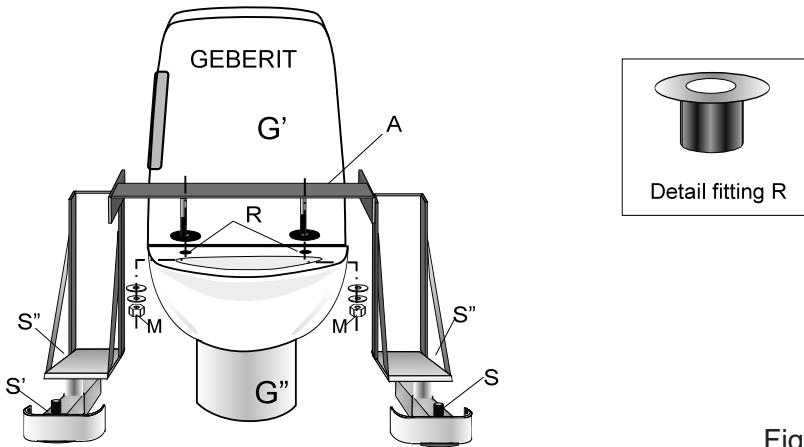


Fig.1

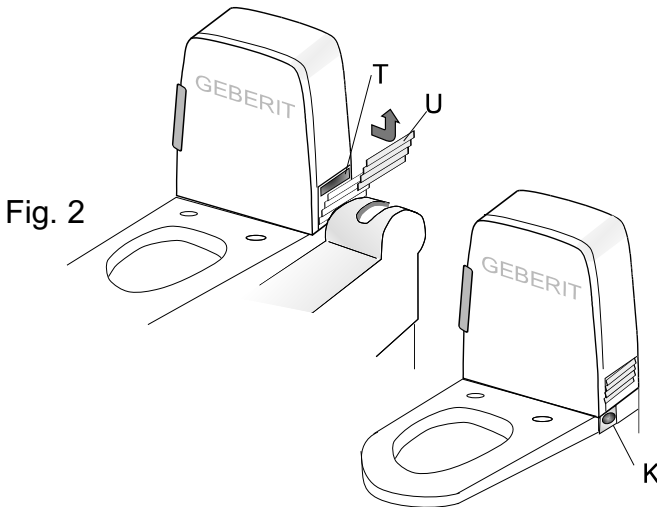


Fig. 2

Fig. 3



## Caution !

Because of installing the Aerolet<sup>®</sup>, the service covers of the Geberit WC7000 cannot be opened completely. For replacing the carbon filter **T**, the cover **U** has to be opened and removed completely by pushing it out of its hinges (see fig. 2). This act must be done also on the other side of the cover for making the settings for the Geberit.

# Installing the Aerolet on Geberit bidet WC7000 (floor or wall model)



## WARNING !

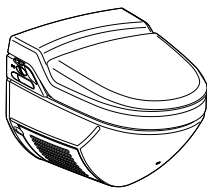
- As the Aerolet® is installed to the toilet bowl, this bowl forms part of the system. Be sure that the bowl is well fixed to the wall.
- Remove the covers **G'** and **G''** (see Geberit WC7000 manual)
- Then remove the complete seat with adjusting material and wire
- For the control of the Geberit via the arm support, a connection has to be made with the blue pinch-clip wire to control-knob **K** (see Fig.3).
- Push fittings **R** into the mounting holes of the toilet bowl (Fig.1).  
If necessary, trim the fittings to fit the holes. (see detail **R** )
- Connect the wire with white plug to one of the wires which were part of the Geberit sitting contact.
- Plug the Aerolet® into the socket outlet and bring the lift approx. 25 cm upwards with the control button on the arm support.
- Install the lift over the bowl. Fasten the connection strip **A** to the toilet bowl.
- If necessary, turn the adjusting screws **S''** so that the strip lays flat onto the bowl.
- Connect both black plugs with the Aerolet toilet lift wires and check function.



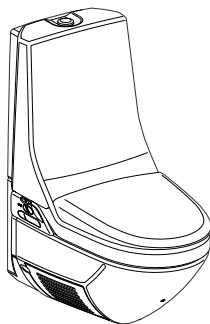
## Caution!

- **Check** the toilet seat bottom when it is in lowest position. It should touch the front supports of the seat-frame.
- If necessary, turn the front screw(s) **S'** to level
- **Check** to see when turning all the screws **S**, a minimum of 25 mm distance arises between the toilet bowl edge and the seat frame.
- Adjust the toilet seat **without** seat-cover of the Geberit on to the Aerolet® seat-frame.
- Adjust the arm supports. (see page 32-33)
- If necessary, adjust the seat rise with the toggle-switch. (see page 28-29)

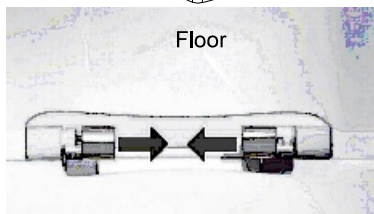
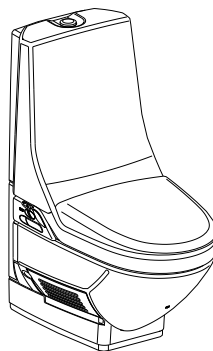
AquaClean8000 models



Wall

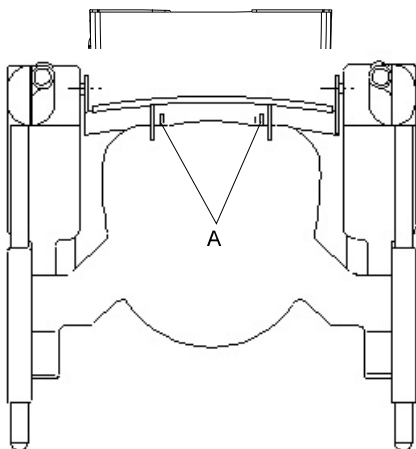


Wall

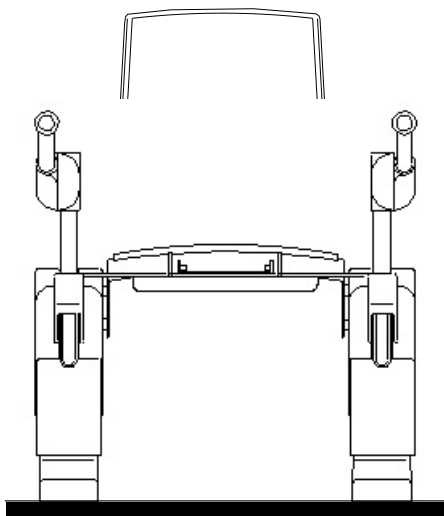


Floor

Fig. 1



View from above



Front view

## Installing the Aerolet toilet lift on a Geberit AquaClean 8000 *plus*



### WARNING !

- As the Aerolet® is installed to the toilet bowl, this bowl forms part of the system. Be sure that the bowl is well fixed to the wall.
- The Aerolet® can be adjusted to several AquaClean800 models (see page 26).
- Remove the below cover of the AquaClean8000 (see Aqua-Clean's handbook).
- Connect the control wire with white plug onto the circuitboard of the AquaClean 8000 (see assembling procedure).
- Re-install the below cover and take care of leaving the cable with black plug outside the cover. Connect this black plug with the contra-wire of the Aerolet® toilet lift.
- Remove the AquaClean8000 seat and lid by moving the bolts inwards (see Fig. 1 and /or Geberit's handbook)
- Connect the lift into the socket outlet and bring the lift approx. 25 cm upwards with the control button on the arm support. Move the lift over the fixing hinges of the toilet bowl and check if the pins of the connection strip **A** fall in to it.
- Connect strip **A** to the toilet bowl by moving the hinges bolts outwards. THIS CAN BE QUITE DIFFICULT. TO DO SO. IN THIS CASE ALSO PUSH STRIP **A** AGAINST THE BOWL. DON'T MAKE USE OF A HAMMER!!
- Adjust the feet under the lift in such way, that the lift stands stable.
- Adjust the arm supports (see page 32-33).
- If necessary, adjust the seat rise with the toggle-switch (see page 28-29).

## Setting the rise of the Aerolet toilet lift



### WARNING!

**Lift setting is only allowed to be changed by a certified service engineer. Please do not attempt to change the settings yourself.**

- Height adjustments can **ONLY** be made when the toilet seat is in its lowest position.
- Remove covers **A** and **B** (see page 16-17).
- Release the locking spring **G** on both sides by pushing it upwards and to the side (fig.1 - page 30).
- Pull out the hinge pin **F** on both sides.
- The traction bar **E** can now be adjusted in the correct hinge hole number. Also the LED position number must be adjusted.
- By holding the 'Toggle' down the LED position changes. Let loose the Toggle when the light lights up in the corresponding hinge number.



### WARNING!

- **The height adjustment must be made in the same hinge hole position on each side of the lift.**
- Fig. 2 is an example of an adjustment: LED on 3 and hinge on 3 position (please also watch the text of Fig. 2 on the lift).
- The LED position may adjust in a lower position i.e. 2 or 1 when hinge = 3. Through this the lift rise will be shortened.



### WARNING !

- **Never adjust the LED position in a higher figure than the figure of the hinge. Through this the lift will rise too far! At the same time a safety switch comes into force and will move the toilet lift a little downwards.**
- After checking the rising height, the covers can be re-installed. (see page 16-17)

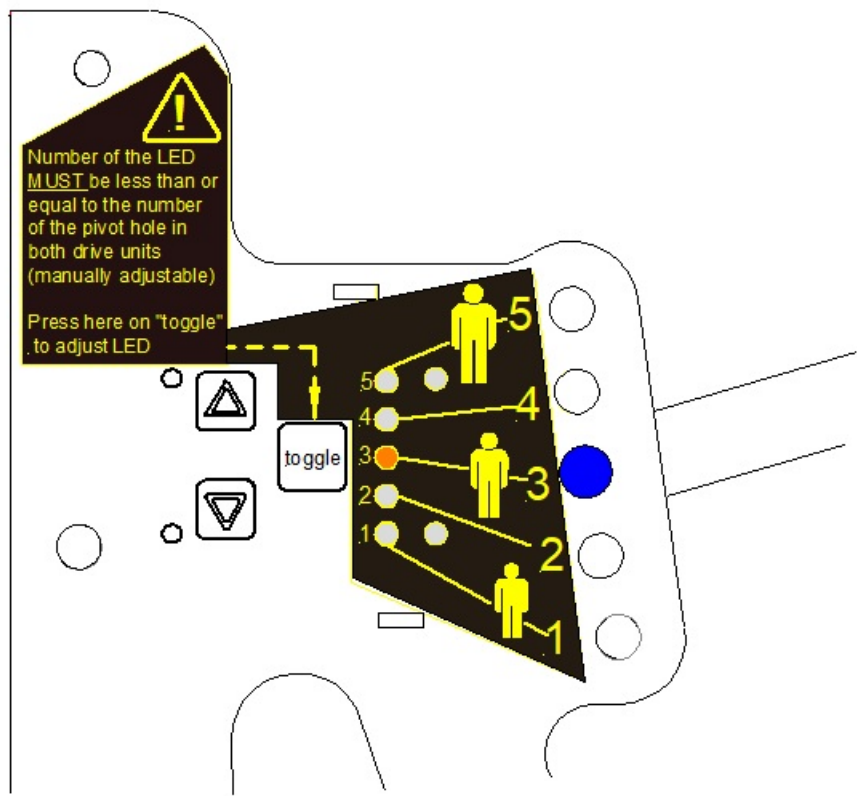
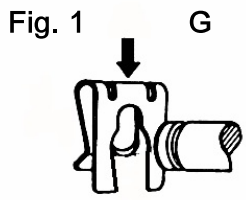
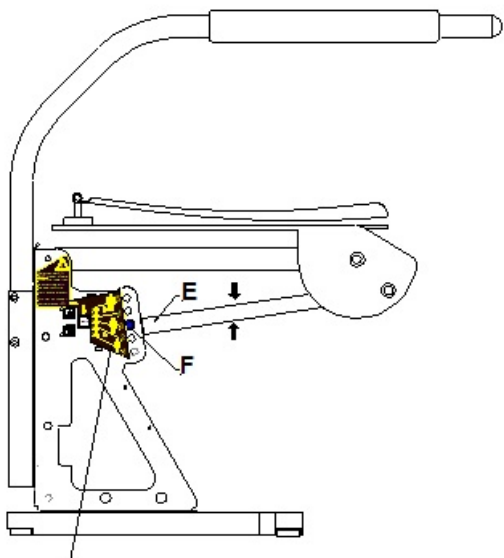


Fig.2

# Examples of height adjustments

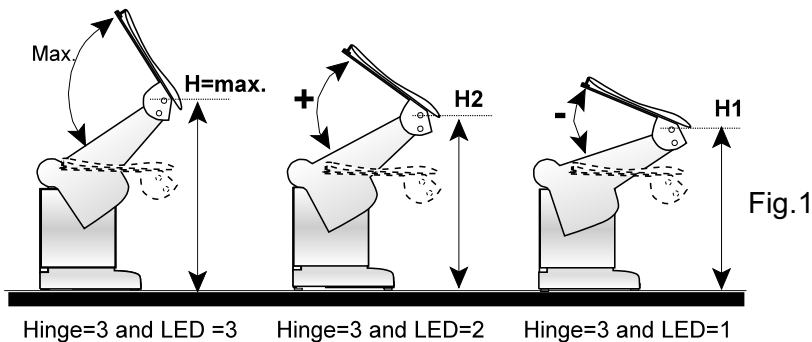


Fig.1

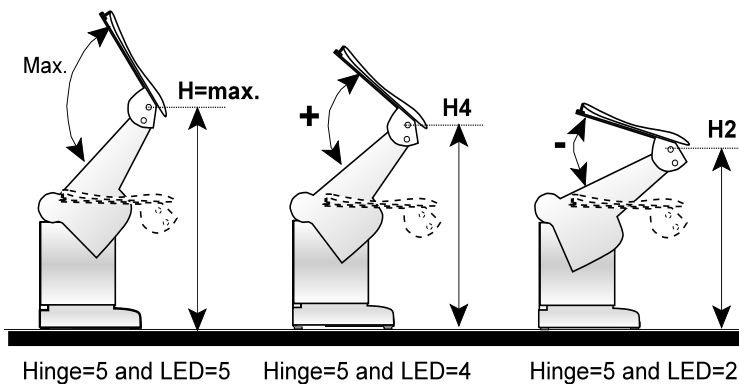


Fig.2

Hinge-number	LED-number
Nr. 1	Nr. 1
Nr. 2	Nr. 2, 1
Nr. 3	Nr. 3, 2, 1
Nr. 4	Nr. 4, 3, 2, 1
Nr. 5	Nr. 5, 4, 3, 2, 1

Fig. 3



# Examples of height adjustments

Fig. 4

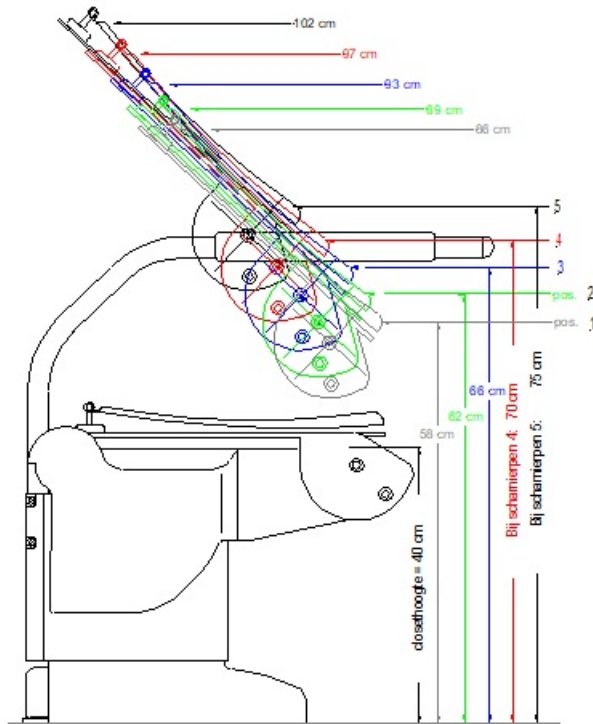


Fig.1 Gives an example of hinge no. 3 and different LED positions. The height and seat-angle of the seat frame changes.

Fig.2 Gives an example of hinge no. 5 and different LED positions. The seat height is higher than Fig. 1 and the seat-angle stays in the same level.

Fig.3 In this data-view you can see the 15 different adjustment possibilities of the hinges and LED's.

Fig.4 Here you can see the maximum seat frame heights when the bowl is 40 cm.

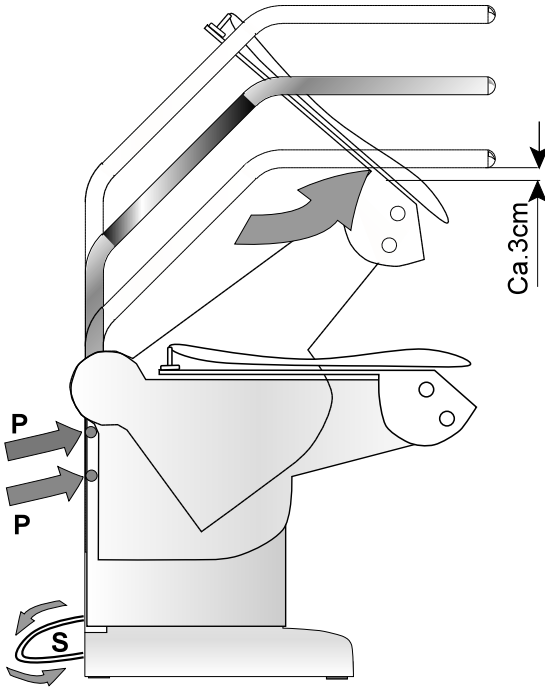
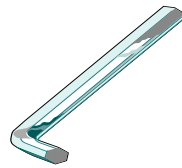


Fig.1



## Setting the Aerolet® arm supports (only Tilting lift)

- The arm supports can be only adjusted in height.  
On special request also in width possible.



### **WARNING!**

- **Changes to the lift settings should only be made by a service engineer.**
- **Unplug the Aerolet® before making any changes!**



Before setting the arm supports, make sure that cord **S** comes out of the lower side of the operational arm support. Also pull the cord out a bit so that it will not be damaged during adjustments.



### **WARNING!**

- Unscrew the two bolts **P** on both sides and adjust the arm supports in height. After the adjustment, tighten the bolts **P** again. Both bolts on each arm support must lock the support into place.



### **WARNING!**

- When the arm supports are adjusted in to a lower position, the seat rise settings may bump against the underside of the arm support.
- **This can cause damage to the lift!**
- This must be adjusted to ensure enough room clear the arm supports.
- A minimum 35 mm space must be allowed between the seat frame and the arm supports. (see fig. 1 - page 32)
- Finally push cord **S** back into its drive unit.

# Troubleshooting

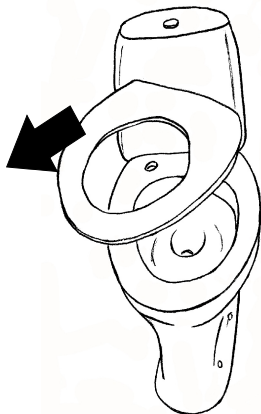
**LA = Linear Actuator / CB = Control box**

<b>Symptom</b>	<b>Possible Cause</b>	<b>Action</b>
Power indicator does not light up  (see pag.10 - no. 22)	<ul style="list-style-type: none"> <li>- Not connected on the mains</li> <li>- Earth leakage circuit breaker is off</li> <li>- CB is defective</li> </ul>	<ul style="list-style-type: none"> <li>- Connect to mains</li> <li>- Switch on the breaker</li> <li>- Replace the CB and send or repair</li> </ul>
Power indicator lights up but actuator does not run	<ul style="list-style-type: none"> <li>- Actuator plug not pushed into the CB properly</li> <li>- LA defective</li> </ul>	<ul style="list-style-type: none"> <li>- Push actuator plug into CB properly</li> <li>- Replace LA</li> </ul>
Power indicator lights up but actuator does not run.	<ul style="list-style-type: none"> <li>- CB defective</li> <li>- Control button set defective</li> </ul>	<ul style="list-style-type: none"> <li>- Return CB for repair</li> <li>- Replace control button set</li> </ul>
No motor sound or movement of piston rod	<ul style="list-style-type: none"> <li>- The actuator is not connected to the control box</li> <li>- Cable damaged</li> </ul>	<ul style="list-style-type: none"> <li>- Connect the actuator to the control box</li> <li>- Return actuator for repair</li> </ul>
Motor runs but spindle does not move	<ul style="list-style-type: none"> <li>- Gear wheel or spindle damaged</li> </ul>	<ul style="list-style-type: none"> <li>- Return actuator for repair</li> </ul>
Actuator cannot lift full load	<ul style="list-style-type: none"> <li>- Motor is damaged</li> </ul>	<ul style="list-style-type: none"> <li>- Return actuator for repair</li> </ul>
Motor sound but no movement of piston rod		<ul style="list-style-type: none"> <li>- Return actuator for repair</li> </ul>

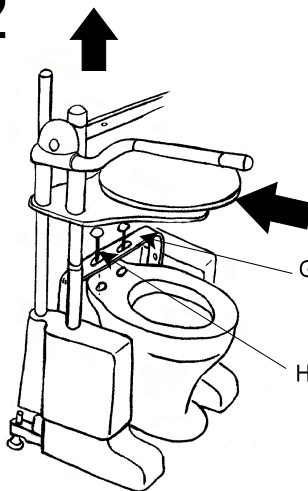
<b>Symptom</b>	<b>Possible Cause</b>	<b>Action</b>
Piston rod will only move inwards and not outwards	- Safety nut has operated	- Return actuator for repair
Vertical toilet lift is only lifting on one side	- Very unequally loaded - One side of the lift stopped	- Keep pushing (pulsated) the down button, until the lift stands horizontal (see pag.38 - fig. 6)
Vertical toilet lift sounds loud during up- and down motion	- Guiding rods are dirty or greasy	- Keep the guiding rods clean from dirt and grease.(see pag.38 - fig. 5)
Tilting lift doesn't come high enough	- Position of the LED is lower than the position of the hinge pin	- Have LED re-adjusted by authorised engineer (see pag. 29)
Tilting lift doesn't come high enough	- Too heavy loaded  - No voltage	- Load less than 150 Kg  - Voltage check by authorised engineer
Toilet lift gives a beeping sound when pushing the blue button	- Power overload - Lift doesn't run	- Reset the lift with the push control buttons <b>(see pag.39)</b>

--	--	--

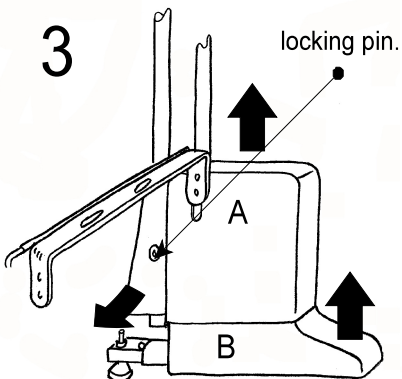
1



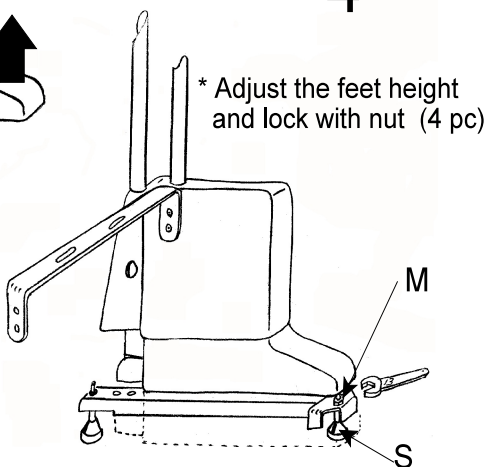
2



3



4



# Installing the Vertical Aerolet on a toilet bowl



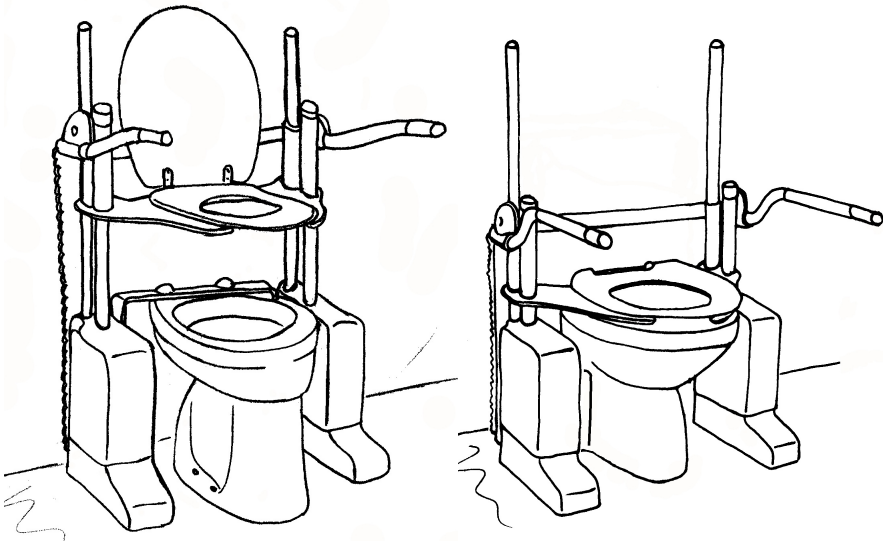
## WARNING!

- As the Aerolet® is installed to the toilet bowl, this bowl forms part of the system. Be sure that the bowl is well fixed to the wall.
- Remove the seat with the mounting bolts. (pict. 1)
- Plug the Aerolet® into the socket outlet and bring the lift upwards.
- Install the lift over the toilet bowl. (pict. 2)
- Fasten the strips **G** with bolts and ring **H** to the toilet frame.
- If necessary, turn the screws **S**, so that the strip-holes **G** will correspond to the frame-holes.



## Warning! Check the toilet seat bottom when it is in its lowest position.

- If necessary, turn the front screw(s) **S** to level. (pict. 3 and 4)
- Install the covers **A** and **B** by pushing the covers downwards until cover **A** snaps into the locking pin. (pict. 3)
- **Check** to see when turning all the screws **S**, a minimum of 25mm distance arises between the toilet bowl edge and the frame-seat.
- Turn nuts **M** and **S** again.
- The toilet lift is ready for use



## Caution

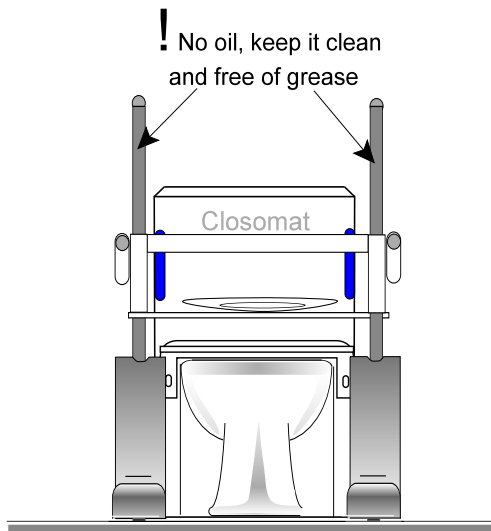


Fig. 5

Keep pushing (pulsated) the black (down) button, until the lift stands horizontal. During each toilet use, take care of bringing the lift completely down in its lowest position!!

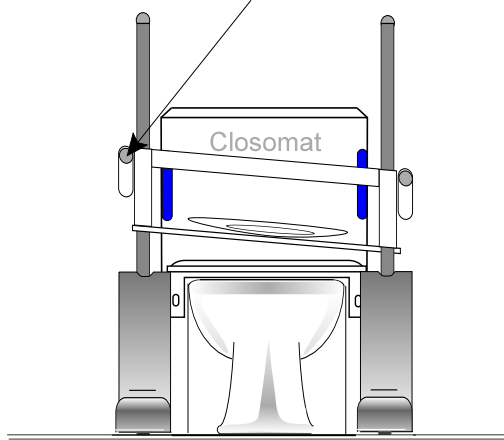


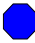



Fig. 6

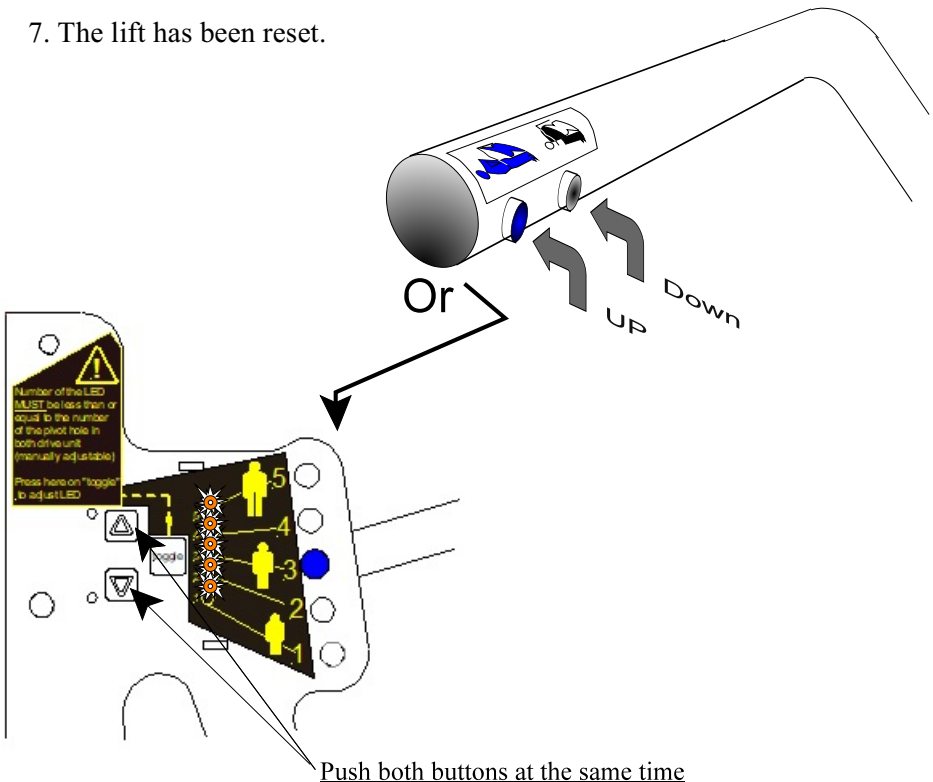


## RESETTING THE VERTICAL / TILTING AEROLET UP / DOWN CONTROL BUTTON FUNCTION

When the lift has a fatal error, you hear a beeping sound when you press the control buttons and also the 5 LED's blink at the tilting-lift.

Please follow next procedure:

1. First check if all cable plugs are plugged in well and secured
2. Push **both**   buttons on the arm support **at the same time**, or
3. Push **both**   buttons on the lift frame **at the same time**
4. You will hear a pulsate peeping sound for about 10 seconds
5. **Keep** pushing the buttons until the leds goes out and the beeping stops
6. **Keep** pushing the down button (black) until the lift is completely down
7. The lift has been reset.



Manufacturer:

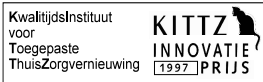
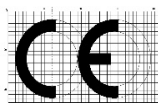


## ECONOMIC HOLLAND

Hanzestraat 12 B  
7622 AX BORNE  
The Netherlands  
Telephone : +31-74-3030247  
E-mail : [info@economic-holland.nl](mailto:info@economic-holland.nl)  
Internet : [www.economic-holland.nl](http://www.economic-holland.nl)

**Patient Care Systems**

Dealers / Sales:



*Economic Holland reserve the right to technical alterations !*