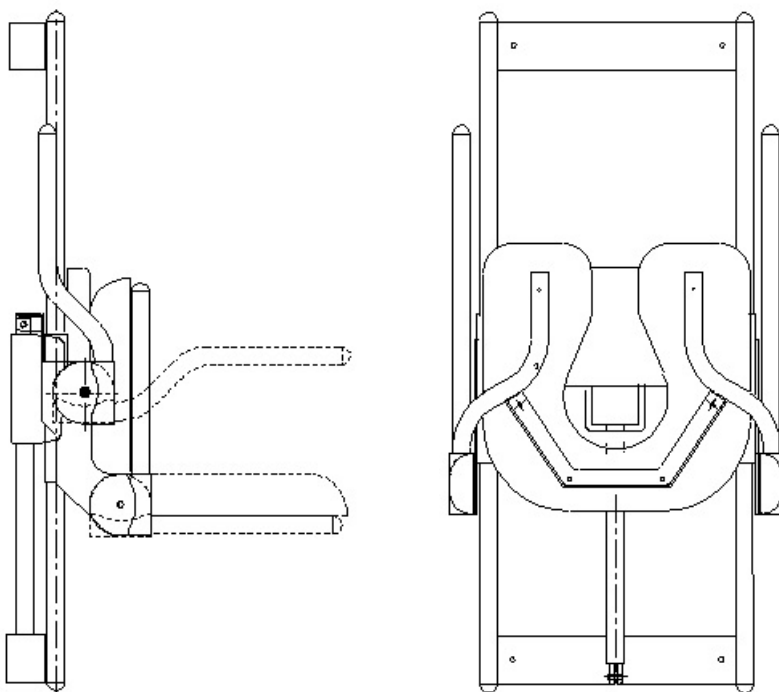


# Aerolet<sup>®</sup> vertical Shower lift

## Manual and Installation




### Wall-hanging Shower lift

**Aerolet** Vertical Shower lift made by Economic Holland b.v

# Table of contents

Important information.....	3
Cleaning and maintenance.....	4
Schedule Aerolet shower lift.....	5
The wire diagram.....	6
The shower lift position (standard).....	7
The shower lift with extension cable.....	8
Installation of the shower lift.....	9-10
The shower lift control(s).....	11
Guarantee and repair.....	12
Notes.....	13
Manufacturer.....	14

# Important information

 **Never change lift settings yourself, but leave this to an authorized person.**

**Lift repairs may only be done when power is off !**

 **Your Aerolet® shower lift is absolutely no toy !**

 **Pay special attention to warning symbols used in this manual.**

- improper use may cause injury to the user !
- improper use may cause damage to the Aerolet® !

 **Danger of hand-jam.**

## **Size specifications:**

Width	: 58 cm
Depth	: 60 cm ( foldaway 25 cm)
Seat height position	: minimum 30 cm till 70 cm
Rising height	: 40 cm
Fold away arm supports	: left & right
Lower leg length	: 71 cm
Net weight	: 27 Kg
Power	: 24/230 V~50/60 Hz max. 0,63 A
Length power cable	: 275 cm
Maximum load	: 125 Kg

# Cleaning & maintenance shower lift

- The shower lift is designed for easy cleaning.
- After having used the lift, **fold up the seat** so that the water runs off. Dry the seat and back support with a towel.



## Warning !

### **Unplug the shower lift from the GFCI when cleaning the lift.**

The shower lift should be cleaned with each routine bathroom cleaning.

- **Do not use chlorine bleach and/or hydrochloric acid (scale solvents) based products to clean the lift.**

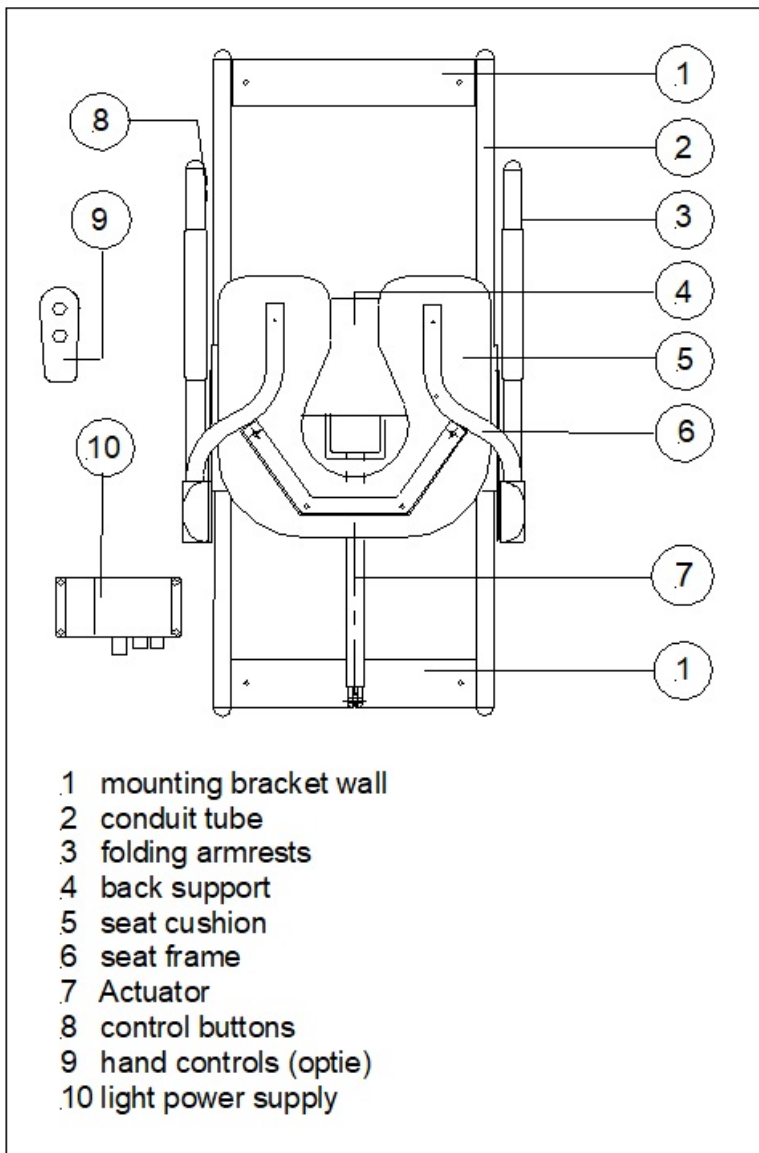
The shower lift doesn't need periodical inspection and is maintenance free concerning mechanical parts.



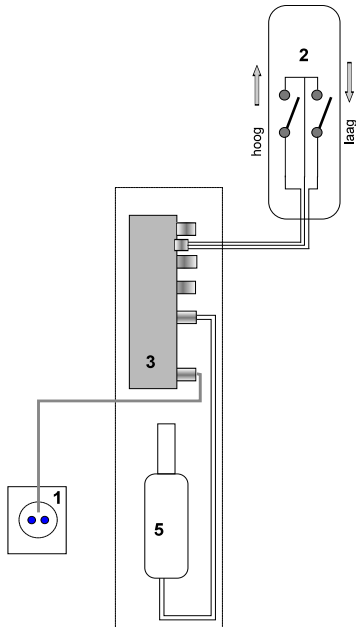
The shower lift grant **only** the mounted shower seat and back support as they are custom fit to the lift.

- When the seat is damaged, please contact your certified professional for assistance or replacement.
- When replacing the shower lift please subject the lift to inspection and testing by your certified professional dealer.

# Schedule of the Aerolet shower lift



# The wire diagram



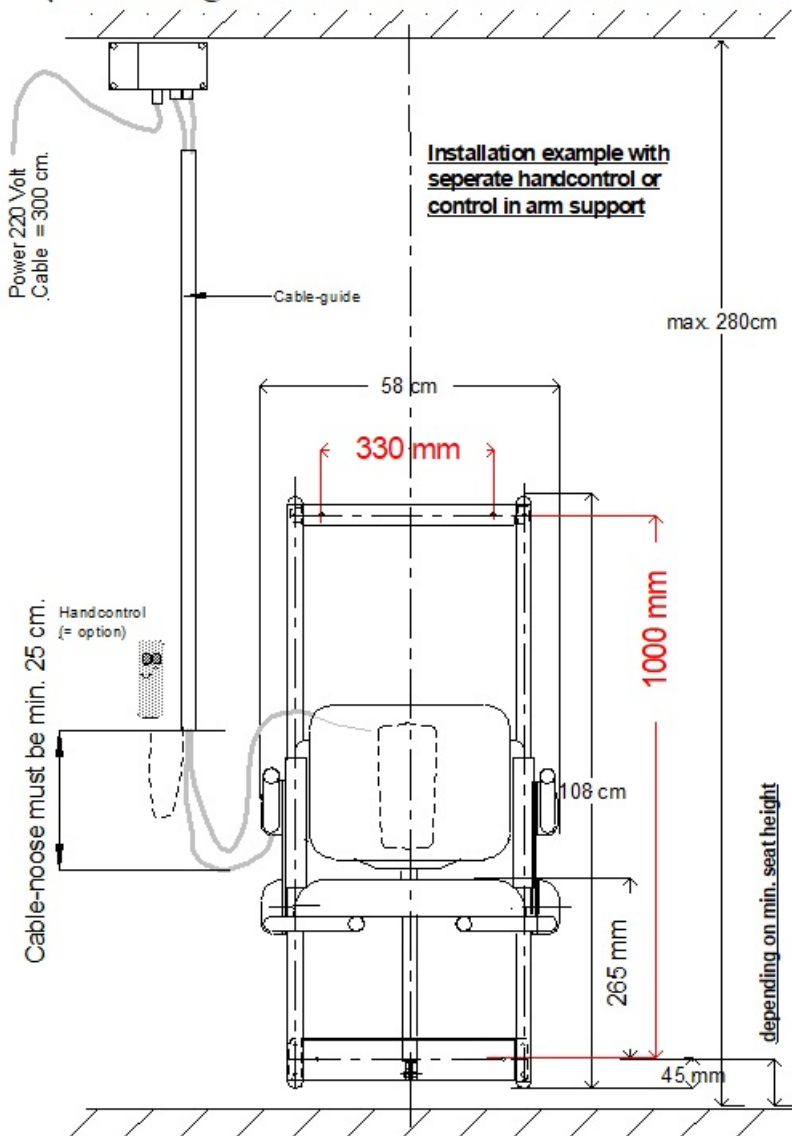
## **Components**

- 1 Plug socket
- 2 Handcontrol lift
- 3 Controlebox Type: CB-80
- 5 Actuator Type: 31220H+1113232X-IP65

# The shower lift position (standard)

Pos.A = standard

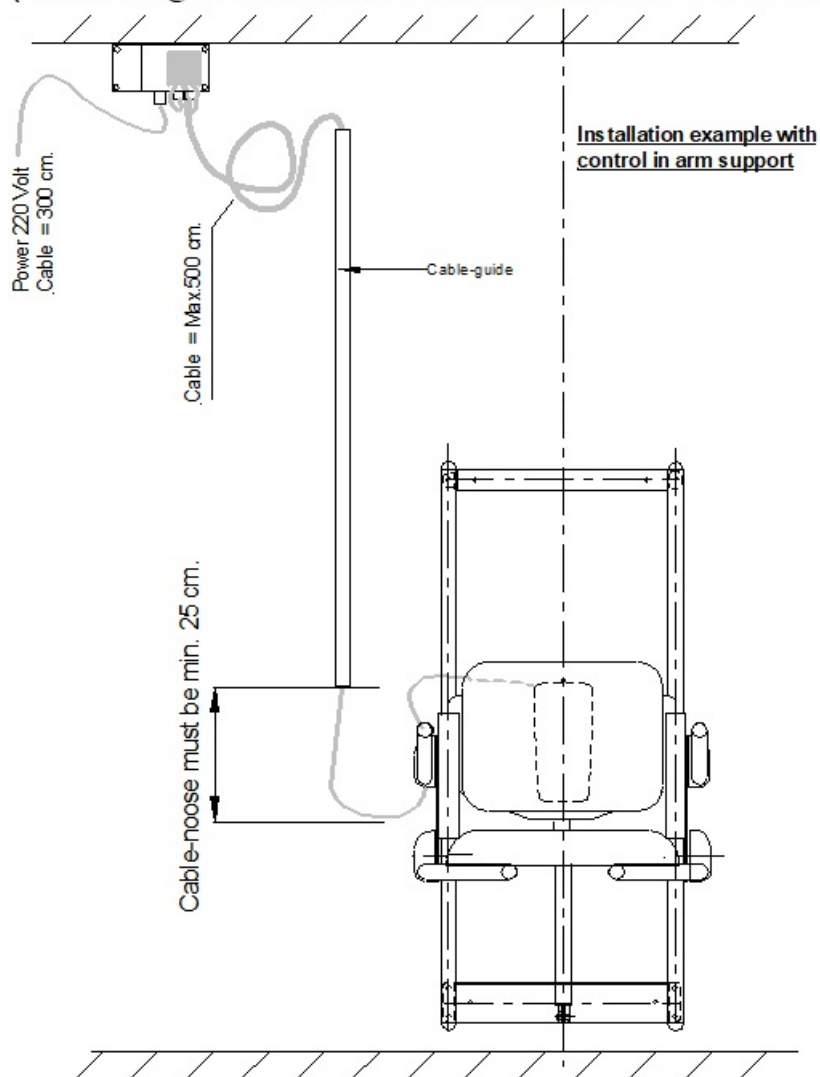
(cable length between the box and lift is 240 cm)



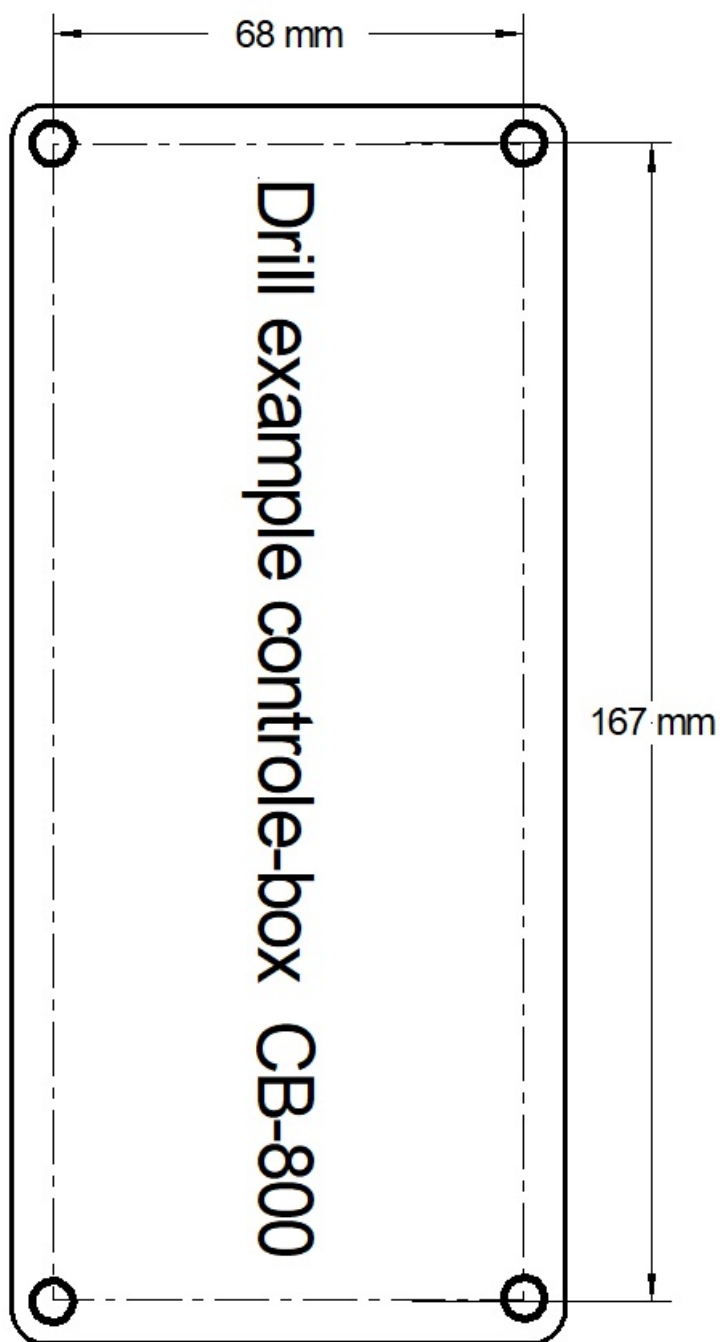
# The shower lift with extension cable

Pos.B = option

( cable length between the box and lift is MAX. 500 cm)





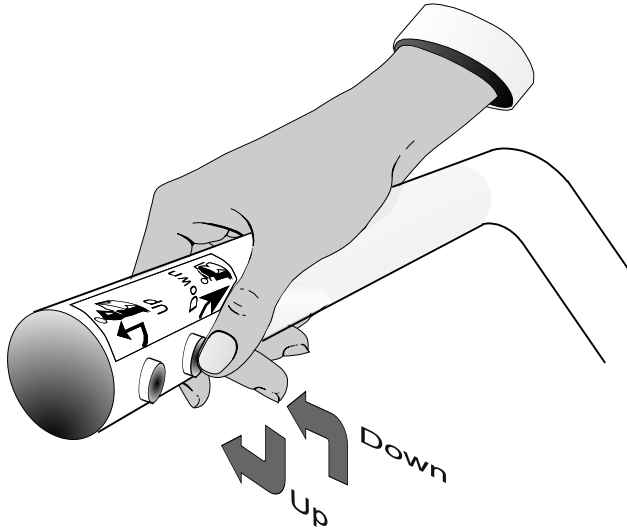


# Installation of the wall-shower lift

- Before the shower lift installation, the wall strength must be taken into account.
- The lift must be attached at two places: 2 fasteners in the top frame and 2 pc in the bottom frame. The holes are intended for Ø 8 mm stainless steel fasteners. (not delivered with the lift)
- Ensure that the holes are sealed before the lift is placed on the wall. This prevents moisture from getting into the wall and use the supplied sealing caps for over the fasteners.
- Do not place the control box directly under running water and use cable ducts (glue) to secure the cables.
- Take into account a cable loop of maximum 40 cm, corresponding to the rising height of the lift.
- You can use the drill dimensions on page 9 to confirm the control box.
- The extension cable of the lift can be removed from the 230V control box (Pos. B - page 8), so that this cable with plug can be put through the wall to a different room. There you can plug in again in the 230V box installed in that room.

# The Shower lift control(s)

standard  
buttons



**Warning!**

**Danger** of hand-jam.  
When the lift is in motion  
your hand (s) must always  
be on the arm supports or  
in your lap.



Handcontrol (option)

# Guarantee and Repair

Economic Holland b.v. guarantees the *Aerolet*<sup>®</sup> shower lift against material and manufacturing faults from 24 months from the purchase day. The seat and back support have a limited guarantee of 6 months!

The guarantee period starts from the delivery- or the installation day when placed by an authorized dealer.

During this guarantee period the authorized dealer will replace or repair at his own choice the faults.

The mains cord may only be replaced by an authorized service engineer.

## Exclusions

Your shower lift guarantee is not applicable on faults which will result in the following:

- wrong or inadequate maintenance by the user
- unauthorized adjustments and/or adaptations or misuse
- usage outside the environment-specifications wherefore the product is meant for.

## Repair

Repairs must only be carried out by an authorized person.

Parts under guarantee must also be returned to Economic Holland b.v.



## Warning !

When the *Aerolet*<sup>®</sup> shower lift will be opened unauthorized, there is a risk of subsequent malfunction.

# Notes:

Manufacturer:



## ECONOMIC HOLLAND

Hanzestraat 12 B  
7622 AX BORNE  
Telephone: +31-74-3030247  
E-mail : [info@economic-holland.nl](mailto:info@economic-holland.nl)  
Internet : [www.economic-holland.nl](http://www.economic-holland.nl)

**Patient Care Systems**

---

Dealers / Sales:



Kwaliteitsinstituut  
voor  
Toegepaste  
ThuisZorgvernieuwing

**KITZ**  
INNOVATIE  
1997 PRIJS

Erkening  
Goed  
Industrieel  
Ontwerp



1  
9  
9  
9

---

*Economic Holland reserve the right to technical alterations !*

---